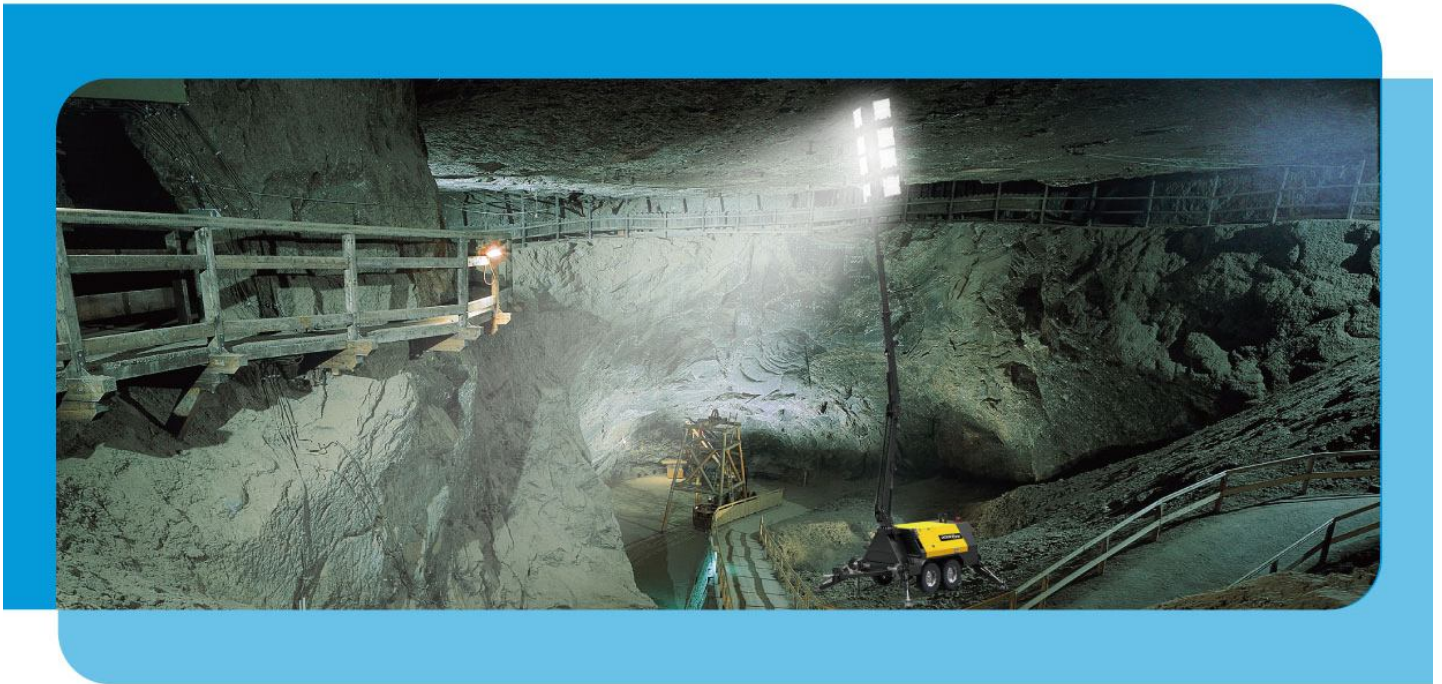


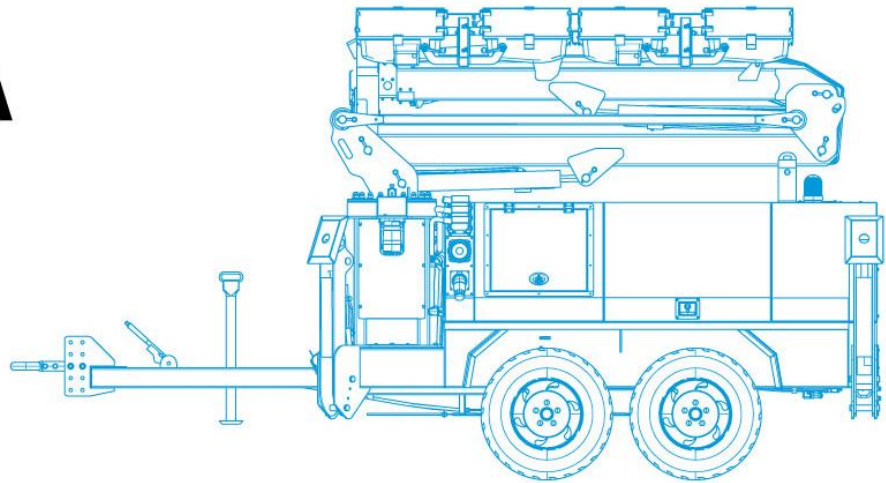


LIGHTING TOWER

A Good Partner for Illumination!



ALT15000A



www.ausgen.net.au



Call for a quote today
1300 AUSGEN
2-8-7-4-3-6

Lighting Tower ALT15000A



Stable Performance and Safety

The superior performance of the lighting tower ensures stable and reliable lighting. The machine is equipped with audible warning system, which will be activated when the mast is being risen or lowered so as to make the operators and people nearby noted and keep in safety distance.

Energy-efficient Metal Halide Lamps

Metal halide lamp can provide enough brightness with little energy, which is one of the most efficient ways to convert electrical energy into light. Compared with other lamps, their light is closer to natural light featuring by longer service life, compact structure and lower energy consumption, it is widely used in various industries.

Compact Structure for High Efficiency

ALT15000A lighting tower mainly consists of a generator set, a group of hydraulic masts, a lighting kit and a trailer. The machine is featured by large access door for convenient maintenance and large fuel tank for long time work. The hydraulic masts can reach 11.19 meters' height at maximum with strong wind resistance performance, and can rotate from -180° to 180° , allowing illumination in all directions. And the trailer makes the machine easy to move. The machine is designed compact and easy to use and to store. It can meet requirements of various complications.



Genset Parameter

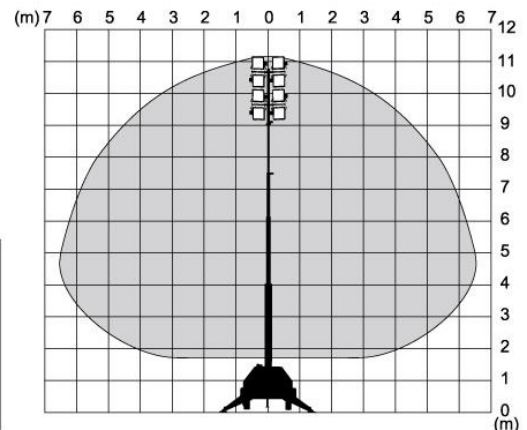
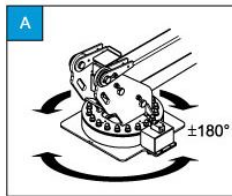
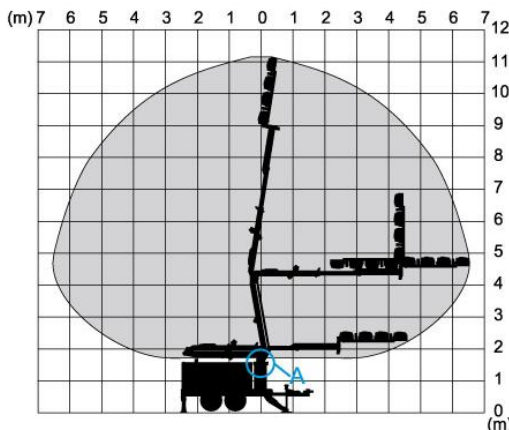
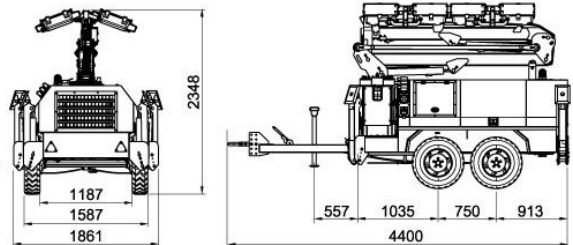
Ambient temperature	-5°C to 45°C
Rated power	15kVA/12kW
Lamp	Metal halide lamp/8x1000w/230v/single phase
Power outlet socket	230V/16A/Single phase
Number of mast sections	5
Working angle of mast section 1	$0-80^{\circ}$
Working angle of mast section 2	$0-80^{\circ}$
Working journey of mast section 3	1230mm
Working journey of mast section 4	1230mm
Working angle of mast section 5	$0-180^{\circ}$
Working angle of turntable	$\pm 180^{\circ}$
Illumination power (luminous flux)	85,000 Lumen/Lamp
Hydraulic oil tank capacity	14L
Tire size	185R14LT
Maximum towing speed	20km/h
Maximum wind speed rating	N/A
Dimensions (fully folded)	4400x1861x2348mm
Dimensions (fully unfolded)	4400x3216x11190mm
Dry weight	2518kg

Diesel Engine

Model	D1703-BG
No. of Cylinder, Diameter x Stroke	3; 87x92.4mm
Prime Power	12.8kW
Displacement	1.647L
Fuel Tank	200L
Fuel Consumption (full load)	219g/kW.h
Oil Capacity	7.6L

Alternator

Model	P1144E
Excitation	Brushless
Excitation System	Self-exciting
Poles	4
Protection Class	IP23
Insulation Class	H



AUSGEN reserves the right to make changes in model, technical specification, color, equipment and accessories without prior notice.

Lighting Tower ALT15000A / April, 2012, Edition 6220061



Call for a quote today
1300 AUSGEN
2-8-7-4-3-6